


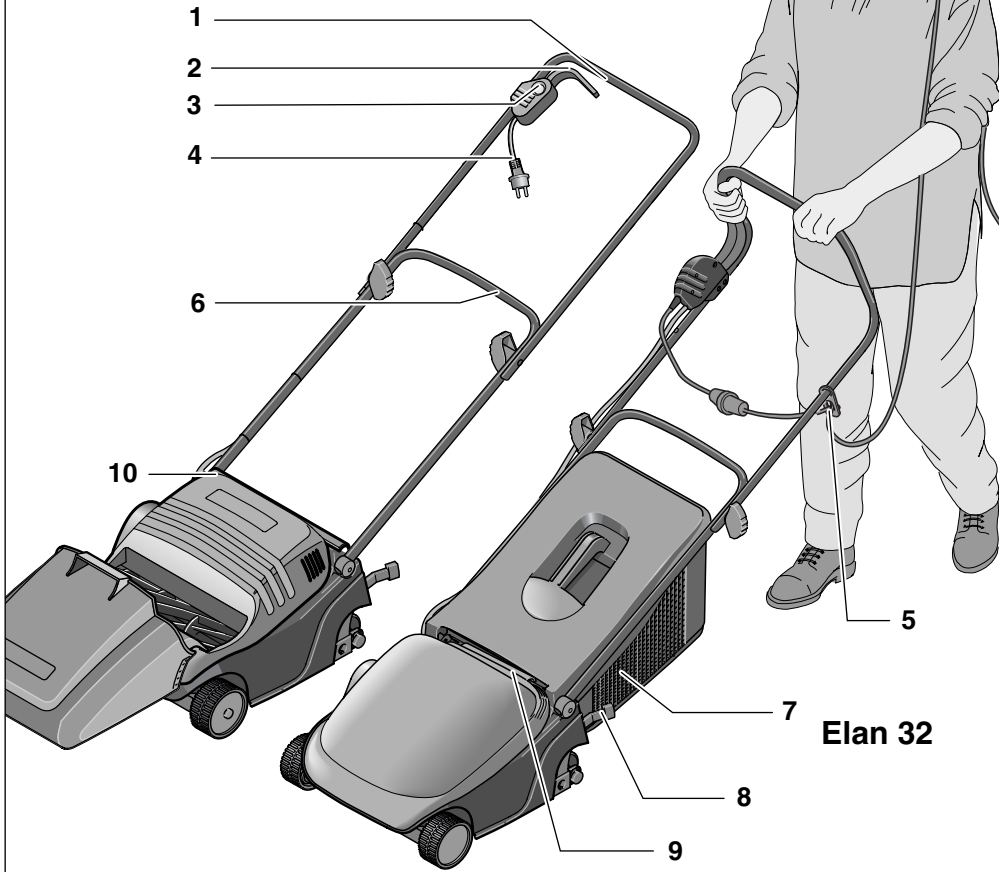


CE  xxx kg  
IPX4 3000 1/min  
XXXXXXXXXXXXX  
TYP F016:xxx:xxx 579 230V - 50/60Hz XXXXW  
Made in UK. Alco-Qualcast Stowmarket 20xx

10



### Concorde 32



### Elan 32

### Product Specification

Cylinder Mower	Elan 32	Concorde 32
Part number	3616 C00 ...	3616 C00 ...
Rated power	400 W	400 W
Blade width	32 cm	32 cm
Height of cut	12 - 42 mm	12 - 42 mm
Grassbox capacity	31 l	23 l
Weight	13,5 kg	11,7 kg
Protection class	□ / II	□ / II
Serial Number	See serial No. <b>10</b> (rating plate) on machine	

### Intended Use

This product is intended for domestic lawn mowing.

### Introduction

This manual gives instructions on the correct assembly and safe use of your machine. It is important that you read these instructions carefully.

When fully assembled the machine weighs between approximately 11.7 kg and 13.5 kg. If necessary, obtain assistance to remove from packaging. Take care when carrying the mower to the lawn, as the blades are sharp.

### Delivered Items

Carefully remove the machine from its packaging and check that you have all the following items:

- Lawnmower with handle assembly
- Handle bottom
- 2 Bolts (fitted to handle bottom)
- 2 Wing nuts (fitted to handle bottom)
- 2 Pivot pins (fitted to handle bottom)
- 2 Pivot covers (fitted to handle bottom)
- 2 Grassbox halves Elan 32
- Grassbox Concorde 32
- Operating instructions

When parts are missing or damaged, please contact the consumer care hotline on (01895) 838782 for assistance. We also have a network of Atco-Qualcast Approved Service Agents who you can contact for service and advice both within and outside the period of guarantee.

### Operating Controls

- 1 Handle top
- 2 Switch lever
- 3 Safety button
- 4 Mains plug\*\*
- 5 Cable restraint\*\*
- 6 Handle bottom
- 7 Grassbox
- 8 Height of cut lever
- 9 Ventilation slots
- 10 Serial number

\*\*Country specific

**Not all of the accessories illustrated or described are included as standard delivery.**

### For Your Safety

**WARNING! SWITCH OFF, REMOVE PLUG FROM MAINS BEFORE ADJUSTING, CLEANING OR IF CABLE IS CUT OR ENTANGLED.**

**THE BLADES CONTINUE TO ROTATE FOR A FEW SECONDS AFTER THE MACHINE IS SWITCHED OFF.**

**CAUTION - DO NOT TOUCH ROTATING BLADES.**

### Electrical Safety

Your machine is double insulated for safety and requires no earth connection. The operating Voltage is 230 V ac, 50 Hz. Only use an approved extension cable. Contact your service agent for details.

Extension cords/leads should only be used if they comply with H05VV-F or H05RN-F types.

It is recommended for increased electrical safety to use a Residual Current Device (RCD) with a tripping current of not more than 30 mA. Always check your RCD every time you use it.

### For Product not sold in GB:

**WARNING:** For safety, it is essential that the mains plug **4** attached to the machine is fitted to the power supply cable **14** as in Figure **B**.

The couplings of connection leads must be protected against splashes and the coupling sockets on the leads must be made of rubber or coated with rubber.

Fixing means for the connection leads must be used.

The connection lead must be inspected for signs of damage at regular intervals and may only be used if in perfect condition.

If the supply cord is damaged it must be replaced by a Atco-Qualcast Approved Service Agent.

**Products sold in GB only:** Your mower is fitted with an approved 13 A (BS1363/A) electric plug and is protected by a 3 A fuse (ASTA Approved to BS 1362).

If the fitted plug is not suitable for your socket outlets, it should be cut off and an appropriate plug fitted in its place.

The severed plug must be disposed of to avoid a possible shock hazard and should never be inserted into a 13 A socket elsewhere.

### Assembly

Fix the handle bottom **6** to the body of the mower using pivot pins **13**. Ensure that the pivot covers **12** are fitted to the handle bottom **6**. (figure **A**)

**Ensure that the handle stop 11 is fitted to the right hand side when operating the mower (Elan 32)**

Attach the handle top **1** with the bolts and the wing nuts to the handle assembly.

Note: Ensure that the cable clips supplied are used to fix the cable to the handle, as in figure **A**.

**The blades may require adjustment - see Adjusting the Blades.**

Attach cable to cable restraint **5** as in figure **B** ensuring that sufficient cable slack is available. (Euro models only)

Snap together both top and bottom halves of the grassbox as in figure **C1** (Elan 32).

Snap together the grassbox as in figure **C2** (Concorde 32).

### Grassbox

Attach/remove the grassbox.

Ensure the cable is not trapped when folding/unfolding top handle. **Do not drop the handle.**

### Adjusting the Cutting Height (Figure D)



**Stop, release switch lever and wait until the motor stops before adjusting height. The blades continue to rotate after the machine is switched off, a rotating blade can cause injury.**

The lawnmower can be set to several cutting heights. For this purpose, **1** pull the height of cut lever **8** outward then **2** move up or down to the desired cutting height (figure **D**) while supporting the weight of the mower with the other hand.

For the first cut of the season, a high setting should be selected.

### Starting and Stopping (Figure E)



**The blade continues to rotate for a few seconds after the machine is switched off. Allow the motor/blade to stop rotating before switching "on" again. Do not rapidly switch off and on.**

**To aid starting push handle down to lift front of mower.**

#### Starting:



**1** Press and hold the safety button **3**.

**2** Squeeze the switch lever **2** towards the handle.

Release the safety button **3**.

#### Stopping:

Release the switch lever **2**.

### Mowing

Place the lawnmower on the edge of the lawn, as close to the power point as possible. Work away from the power point as in Figure **F**. Then at right angles.

Position the cable to opposite side (already cut) at the end of each turn.

**The blades may require adjustment, particularly before first use - see Adjusting the Blades.**

When mowing **do not allow the motor to labour** particularly in heavy conditions.

When the motor labours the speed of the motor drops and you will hear a change in the motor sound, when this occurs stop mowing, release switch lever and **raise the height of cut**. Failure to do so could damage the machine.

### Maintenance



**Stop, remove plug from the power supply and remove the grassbox.**

Note: To ensure long and reliable service, carry out the following maintenance regularly.

Regularly check for obvious defects such as loose, dislodged or damaged blades, loose fixings, and worn or damaged components.

Check that covers and guards are undamaged and correctly fitted. Carry out necessary maintenance or repairs before using.

If the mower should happen to fail despite the care taken in manufacture and testing, repair should be carried out by Atco-Qualcast Approved Service Agent.

For all correspondence and spare parts orders, always include the 10-digit part number from the nameplate of the machine!

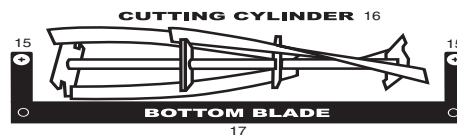
### Adjusting the Blades (Figure G)



**Stop, remove plug from the power supply and remove the grassbox.**

Cylinder mower blades act like a pair of shears and should be adjusted if the grass is not cut cleanly and evenly.

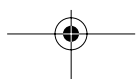
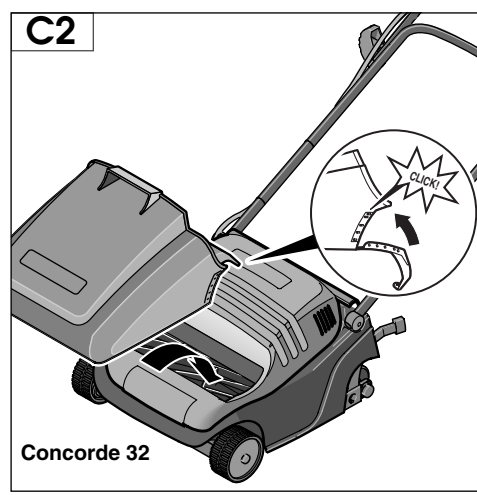
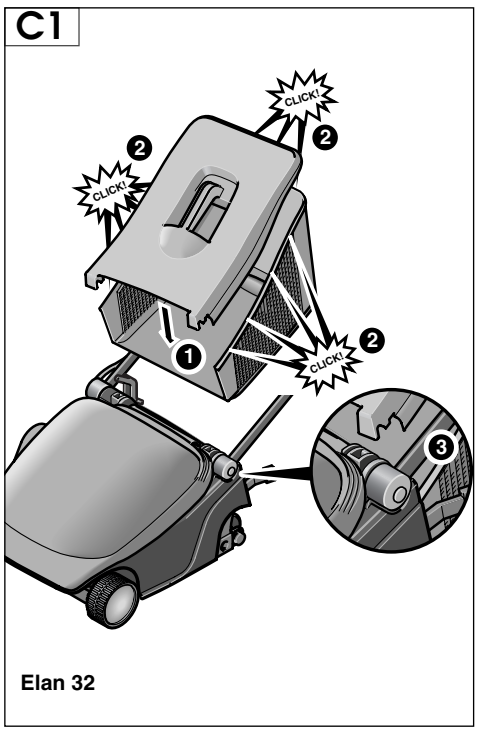
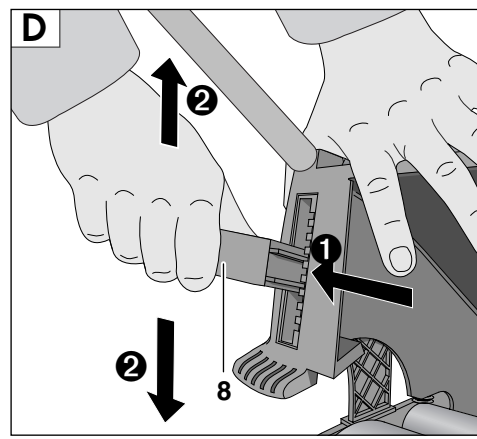
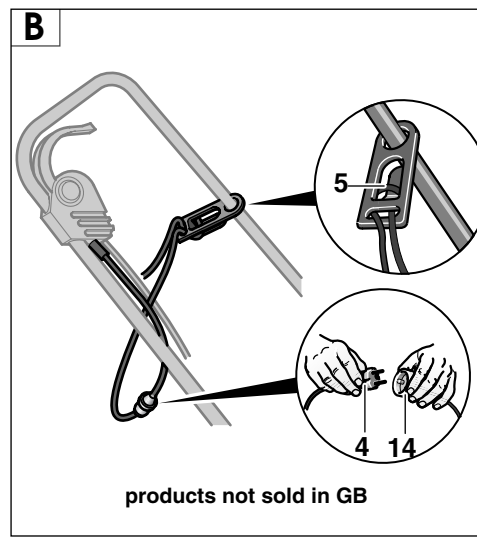
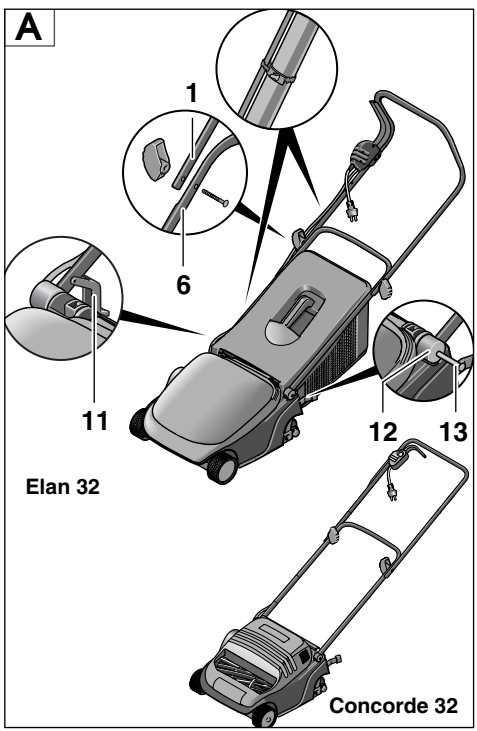
Turn the mower upside down and, using a screwdriver, turn each silver adjustment screw **15**, as below, clockwise a little at a time.

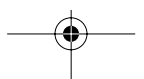
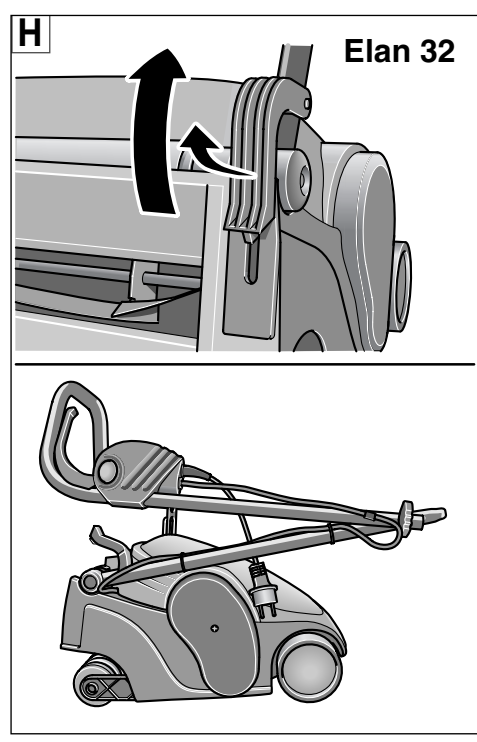
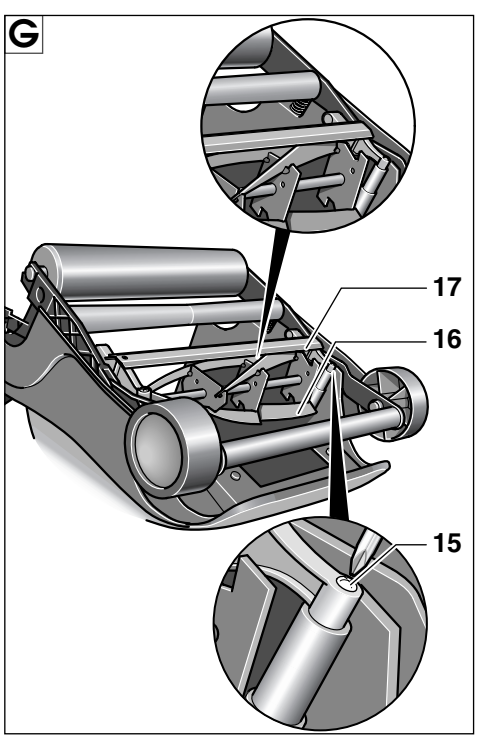
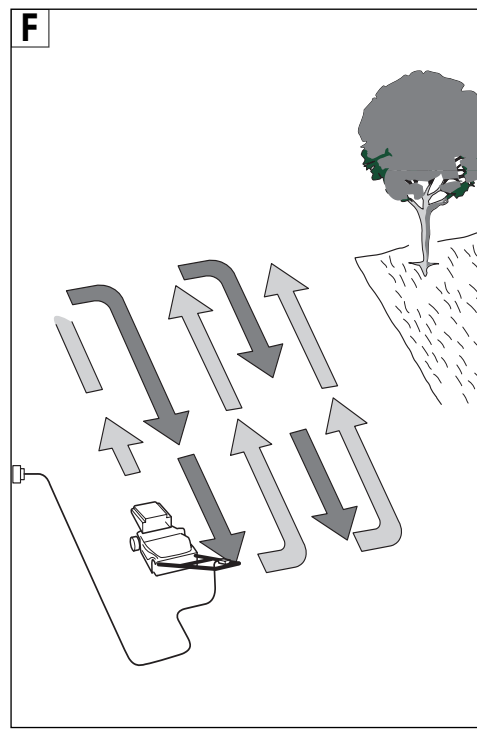
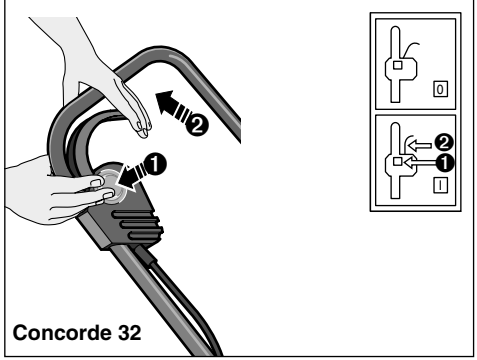
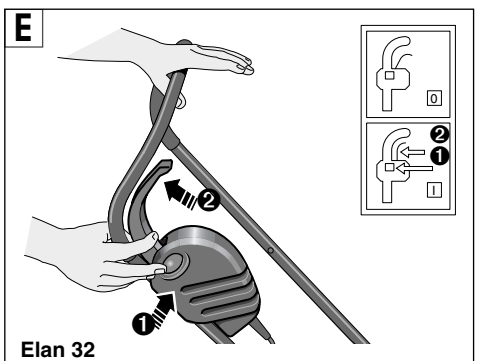


Wearing gloves, carefully rotate the cutting cylinder **16** by hand to ensure it now very lightly brushes across the whole width of the bottom blade **17**.

Turn the mower back over, plug it in and try it. It should now be giving a clean and even cut. If not, unplug and re-adjust screws.

From time to time during use it is advisable to carry out the above procedure to ensure that your lawnmower is always cutting at its best.





### Fault Finding

The following table gives checks and actions that you can perform if your machine does not operate correctly. If these do not identify/remedy the problem contact an Atco-Qualcast Approved Service Agent.

**Warning: Switch off, remove plug from mains before investigating fault.**

Symptom	Possible Cause	Remedy
Machine fails to operate	Power turned off Mains socket faulty Extension cable damaged Fuse faulty/blown	Turn power on Use another socket Inspect cable, replace if damaged Replace fuse
Machine functions intermittently	Extension cable damaged Machines internal wiring damaged	Inspect cable, replace if damaged Contact Service Agent
Machine labours or belt seals Machine not cutting	Height of cut too low Blades off cut	Increase height of cut (see "Height of Cut Adjustment") Blades require adjustment (see "Adusting the Blades")
Machine leaves ragged finish	Blades off cut Cutting blade(s) blunt	Contact Service Agent Blades require adjustment (see "Adusting the Blades")
Cutting blades not rotating	Cutting blades obstructed Belt is slipping or is damaged	Clear obstruction Contact Service Agent
Excessive vibration/noise	Cutting blades damaged Cutting blades not adjusted evenly	Contact Service Agent Blades require adjustment (see "Adusting the Blades")
Poor collection	Mowing in wet conditions	Grass to dry

### After Mowing/Storage

Clean the exterior of the machine thoroughly using a soft brush and cloth. Do not use water, solvents or polishes. Remove all grass and debris, especially from the ventilation slots **9**.

Turn the machine on its side and clean the blade area. If grass cuttings are compacted in the blade area, remove with a wooden or plastic implement.

Store the lawnmower in a dry place. Do not place other objects on top of the machine. To save space, fold up the handle fully (Figure H).

**Ensure cables are not trapped when folding/unfolding top handles, do not drop the handles.**

### Service

Atco-Qualcast  
P.O. Box 98  
Broadwater Park  
North Orbital Road  
Denham-Uxbridge  
GB-Middlesex UB 9 5HJ

☎ Service ..... +44 01895 838782  
 Fax Service ..... +44 01895 838789  
 ☎ Advice line ..... +44 01895 838791  
 Fax ..... +44 01895 838793

### Declaration of Conformity

Measured values determined according to 2000/14/EC (1.60 m height, 1 m distance away) and EN 25 349.

Typically the A-weighted noise level of the product is: sound pressure level 79 dB (A) Concorde 32, 81 dB (A) Elan 32; sound power level: 90 dB (A) Concorde 32, 92 dB (A) Elan 32.

The typical weighted acceleration is 2.5 m/s<sup>2</sup>.

We declare under our sole responsibility that this product is in conformity with the following standards or standardization documents: EN 60 335, EN 836 according to the provisions of the directives 89/336/EEC, 98/37/EC, 2000/14/EC.

2000/14/EC: The guaranteed sound power level  $L_{WA}$  is lower than 94 dB (A). Conformity assessment procedure according to Annex VI.

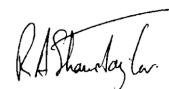
Notified body: SRL, Sudbury England

Notified body identifications number: 1088

PLACE: Stowmarket, 10/2004

Signature:

Position: Director



## The Guarantee

Atco-Qualcast guarantees this product against manufacturing defects. We will repair (or replace at our option) if a manufacturing defect occurs within the guarantee period as long as it has only been subjected to domestic use.

For the purpose of this guarantee, domestic use means any use of the product on the property belonging to the purchaser and forming part of the garden area of his/her dwelling.

The guarantee period is 5 years parts and 2 years labour costs from date of purchase.

### To obtain a repair under this guarantee:

- Take the product to an approved service agent.
- Show your dated proof of purchase.
- Show this guarantee.

### The guarantee does not apply if:

- i. You cannot provide dated proof of purchase.
- ii. The product has been resold by the original purchaser (this does not apply in the Republic of Ireland), or has been used under hire.
- iii. The product has been modified to change the manufacturers specifications, or if non genuine replacement parts have been fitted.
- iv. Any previous repair was undertaken by anyone other than an approved service agent.
- v. The fault is due to maladjustment, abuse, neglect or accidental damage.
- vi. The fault is due to lack of lubrication or maintenance.
- vii. Damage to any part, particularly the drive or cutting mechanism has been caused by allowing the product to strike solid objects.
- viii. The product develops a fault due to abnormal use.

ix. Failure is due to normal wear. The following parts are considered as wearing parts. Their life is dependant on regular servicing and they are not therefore, normally covered by the guarantee:

- Blades
- Bearings
- Cables

The cost of routine maintenance of the product is not covered by the guarantee.

It is in your best interest to follow the Operating Instructions for your machine, as a properly cared for product should give many years of excellent service.

Should you require replacement parts, always insist on genuine Atco-Qualcast replacement parts. Any damage caused to the product through the fitting of parts not made by Atco-Qualcast is not covered by the guarantee.

Your statutory rights are not affected by this guarantee.



### Environmental Information

Your product has been manufactured under an environmental management system using, when possible, the most environmentally responsible materials and processes, and with the potential for recycling at the end of its life. The packaging is also recyclable.

The plastic components are labelled for categorized recycling.

When the time comes to dispose of this product please consider the environment and take it to a recognised recycling facility.

(Please contact your local authority for location information).

## Safety Notes



**Warning! Read these instructions carefully, be familiar with the controls and the proper use of the lawnmower.**

**Explanation of symbols on the lawnmower**



General hazard safety alert.



Read instruction manual.



Beware of thrown or flying objects to bystanders.



Keep bystanders a safe distance away from the machine.



Switch off and remove plug from mains before adjusting, cleaning or if the cable is entangled and before leaving the lawnmower unattended for any period. Keep the supply flexible cord away from the cutting blades.



Sharp blade(s). Beware of severing toes or fingers.



Wait until all machine components have completely stopped before touching them. The blades continue to rotate after the machine is switched off, a rotating blade can cause injury.



Do not mow in the rain or leave the lawnmower outdoors whilst it is raining.

Never allow children or people unfamiliar with these instructions to use the lawnmower. Local regulations may restrict the age of the operator.

Never mow while people, especially children or pets, are nearby.

The operator or user is responsible for accidents or hazards occurring to other people or their property. Do not operate the lawnmower when barefoot or wearing open sandals, always wear substantial footwear and long trousers.

Thoroughly inspect the area where the lawnmower is to be used and remove all stones, sticks, wires, bones and other foreign objects.

Before using, always visually inspect to see that the blades, blade bolts and cutter assembly are not worn or damaged.

Replace worn or damaged blades and bolts in sets to preserve balance. On multi-bladed lawnmowers, take care as rotating one blade can cause other blades to rotate.

Mow only in daylight or in good artificial light.

Avoid operating the lawnmower in wet grass, where feasible.

Walk, never run.

**Mowing on banks can be dangerous:**

- Do not mow excessively steep slopes.
- Always be sure of your footing on slopes or wet grass.
- Mow across the face of slopes - never up and down.
- Exercise extreme caution when changing direction on slopes.
- Use extreme caution when stepping back or pulling the lawnmower towards you.

Stop the blades if the lawnmower has to be tilted for transportation when crossing surfaces other than grass and when transporting the lawnmower to and from the area to be mowed.

Do not tilt the machine when starting or switching on the motor, except if the machine has to be tilted for starting in long grass. In this case, do not tilt it more than absolutely necessary and tilt only the part which is away from the operator. Always ensure that both hands are in the operating position before returning the machine to the ground.

Switch on the lawnmower with feet well away from the blades.

Do not tilt the mower when starting.

Do not put hands or feet near or under rotating parts.

Never operate the lawnmower without the grassbox/bag or deflector guard in position.

Never pick up or carry the lawnmower while the motor is running.

Be careful during adjustment of the lawnmower to prevent entrapment of the feet and hands between moving blades and fixed parts of the lawnmower.

**Remove the plug from the socket:**

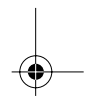
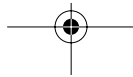
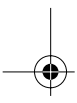
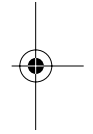
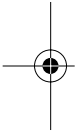
- whenever you leave the machine
- before clearing a blockage
- before checking, cleaning or working on the lawnmower
- after striking a foreign object. Inspect the lawnmower for damage and make repairs as necessary
- if the lawnmower starts to vibrate abnormally (check immediately).

Keep all nuts, bolts and screws tight to be sure that the lawnmower is in safe working condition.

Check the grassbox/bag frequently for wear or deterioration.

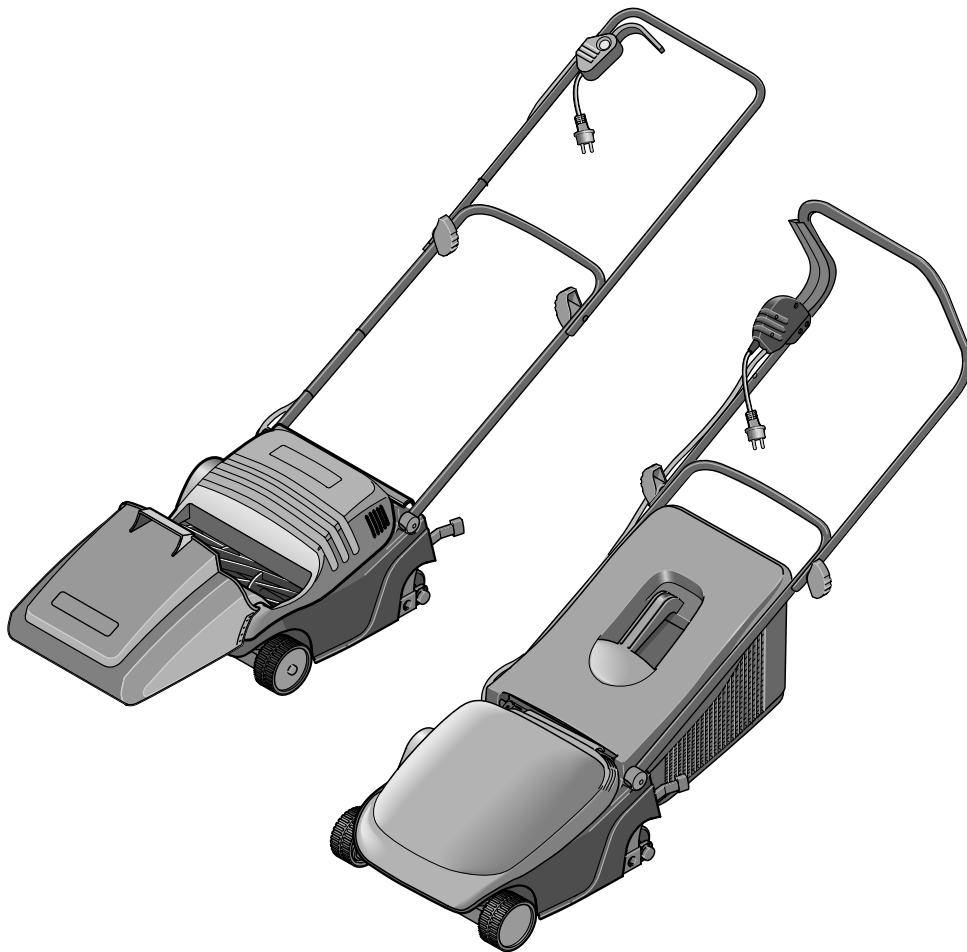
Replace worn or damaged parts for safety.

Ensure replacement parts fitted are Atco-Qualcast approved.



# QUALCAST

Bosch Engineering



## Elan 32/Concorde 32 OPERATING INSTRUCTIONS